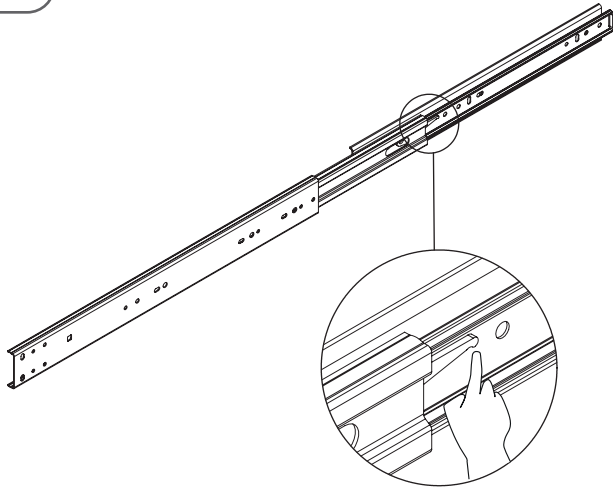
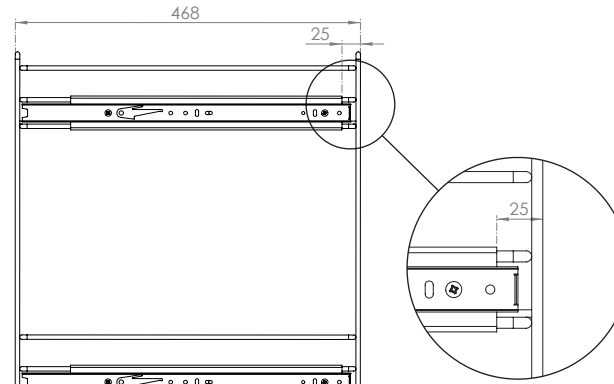


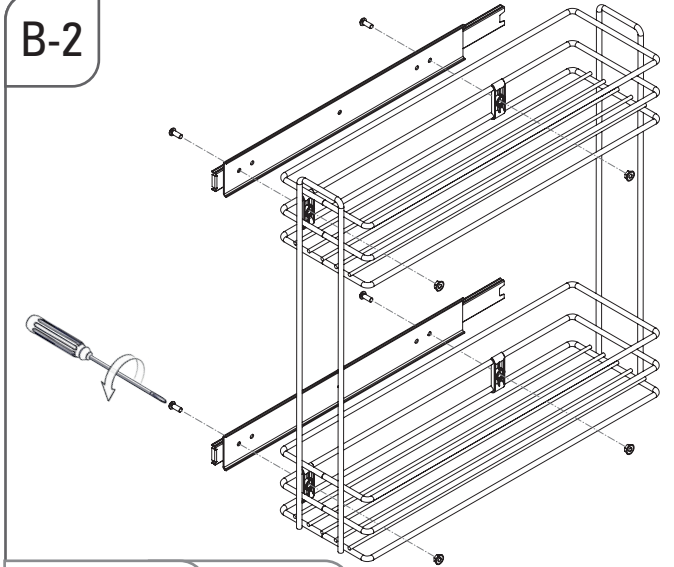
A-1



B-1



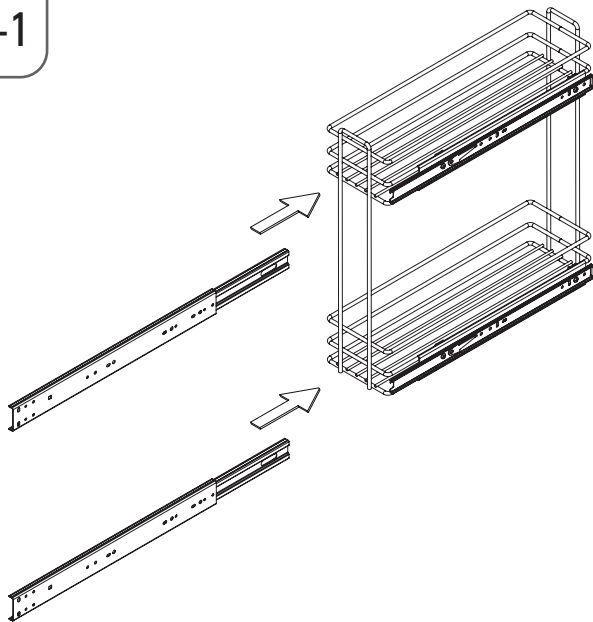
B-2



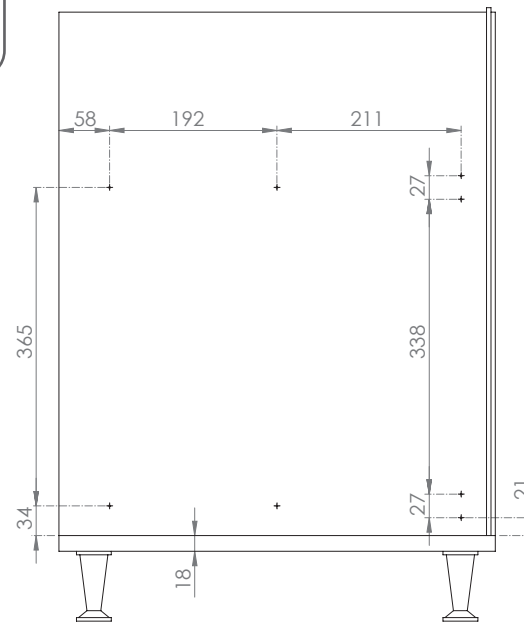
4x YSB
M5x12

4x
NUT

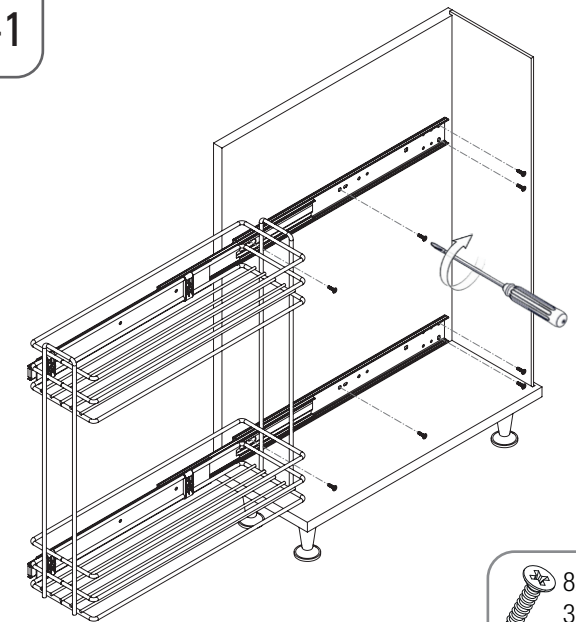
C-1



D-1

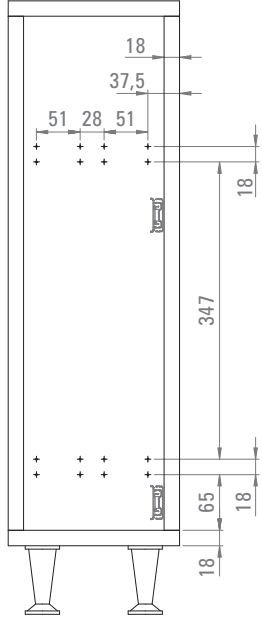


E-1

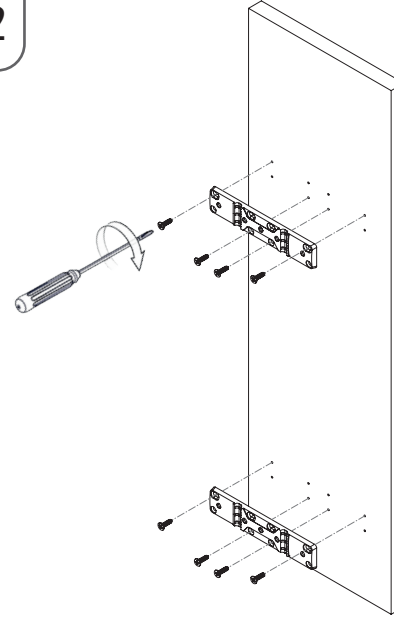


8x
3.5x16

F-1

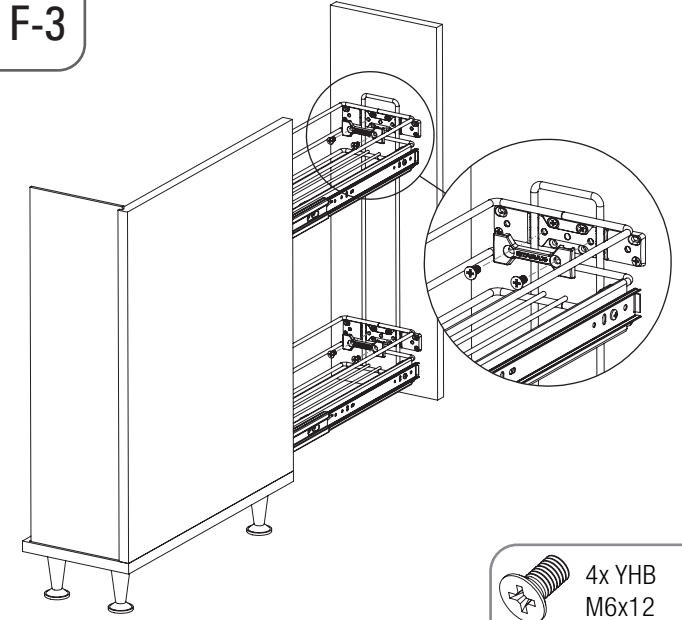


F-2



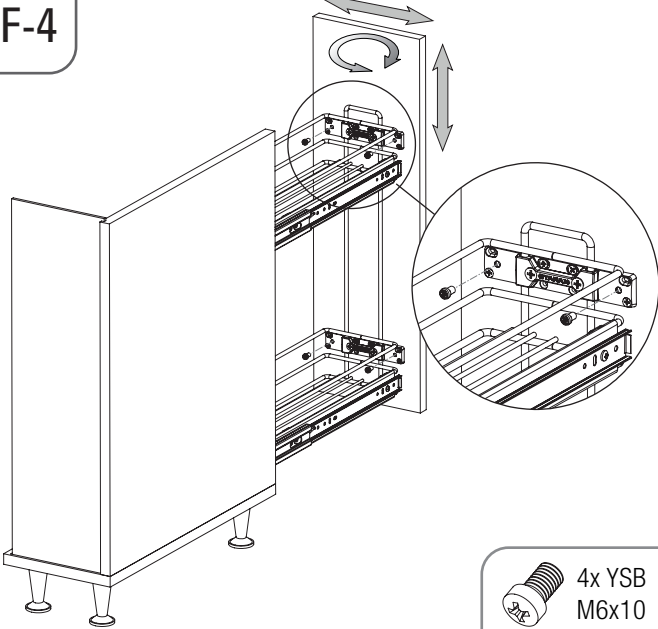
8x
3.5x16

F-3



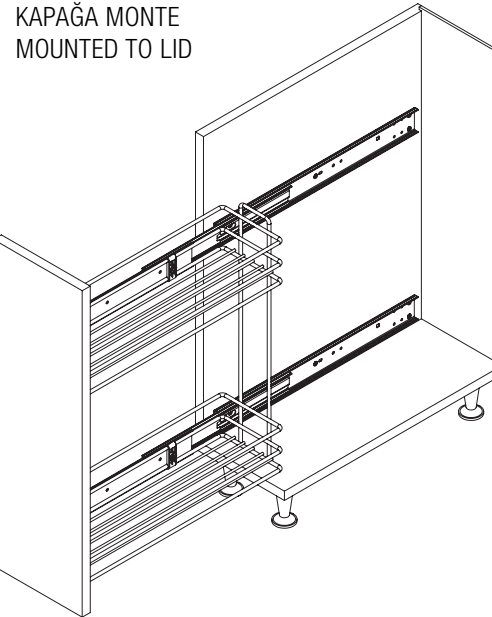
4x YHB
M6x12

F-4



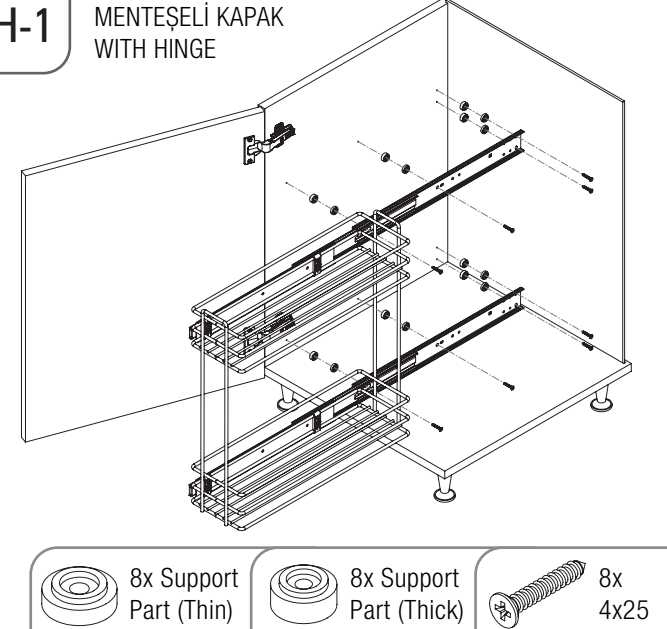
4x YSB
M6x10

G-1



H-1

MENTEŞELİ KAPAK
WITH HINGE



8x Support
Part (Thin)

8x Support
Part (Thick)

8x
4x25